

May 5, 2008

**PRODUCT BULLETIN 08-002**

**REFERENCE:**

**IMPORTANT PRODUCT NOTICE REGARDING SOUTHERN STEEL 10120  
AND FOLGER ADAM 120 & 120 Retro Electro-Mechanical Locks**

This letter is to inform you of a potential concern that has been brought to Southern Folger's attention with respect to the Southern Steel 10120 and Folger Adam 120 and 120 Retro Locks. These locks were manufactured in the following time periods:

Southern Steel 10120 Lock	1975 through 1995
Folger 120 Lock	1977 through 1995
Folger Adam 120 Retro Locks	February 2003 – Present

Please utilize the attached photos and templates to determine if these locks are installed in your facility. **Note: Only Southern Steel 10120 and Folger Adam 120 locks manufactured within this date range are affected.**

**Potential Concern Regarding the SS 10120 and FA 120 & 120 Retro**

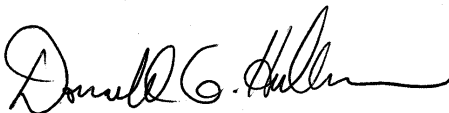
We have been made aware that these locks can be defeated when there is access to the deadlatch mechanism, which typically can only be accessed from *outside of the cell*. If given access to the deadlatch mechanism, a wire may be forced into the lock body to disable the deadlatch and the latch bolt can then be pried out of the strike. If that occurs, an unauthorized person, such as an inmate, could use this technique to enter another inmate's cell.

**Information Regarding Free Cover Plates to Resolve Concern**

Southern Folger has designed a kit that contains a specially-designed cover plate to resolve this concern. After the kit is installed, the cover plate will prevent tampering with the deadlatch mechanism.

Southern Folger strongly recommends installation of this kit. To minimize disruption to your operations, Southern Folger will ship these kits directly to your facility free of charge for installation by your workforce. Please call Monica Garcia in our Customer Service Department at 210-531-2714 to schedule the production of your kits, or if you have any questions regarding this notice.

We appreciate your attention to this matter and urge you to contact us at your earliest convenience.



Donald G. Halloran  
President

attachments



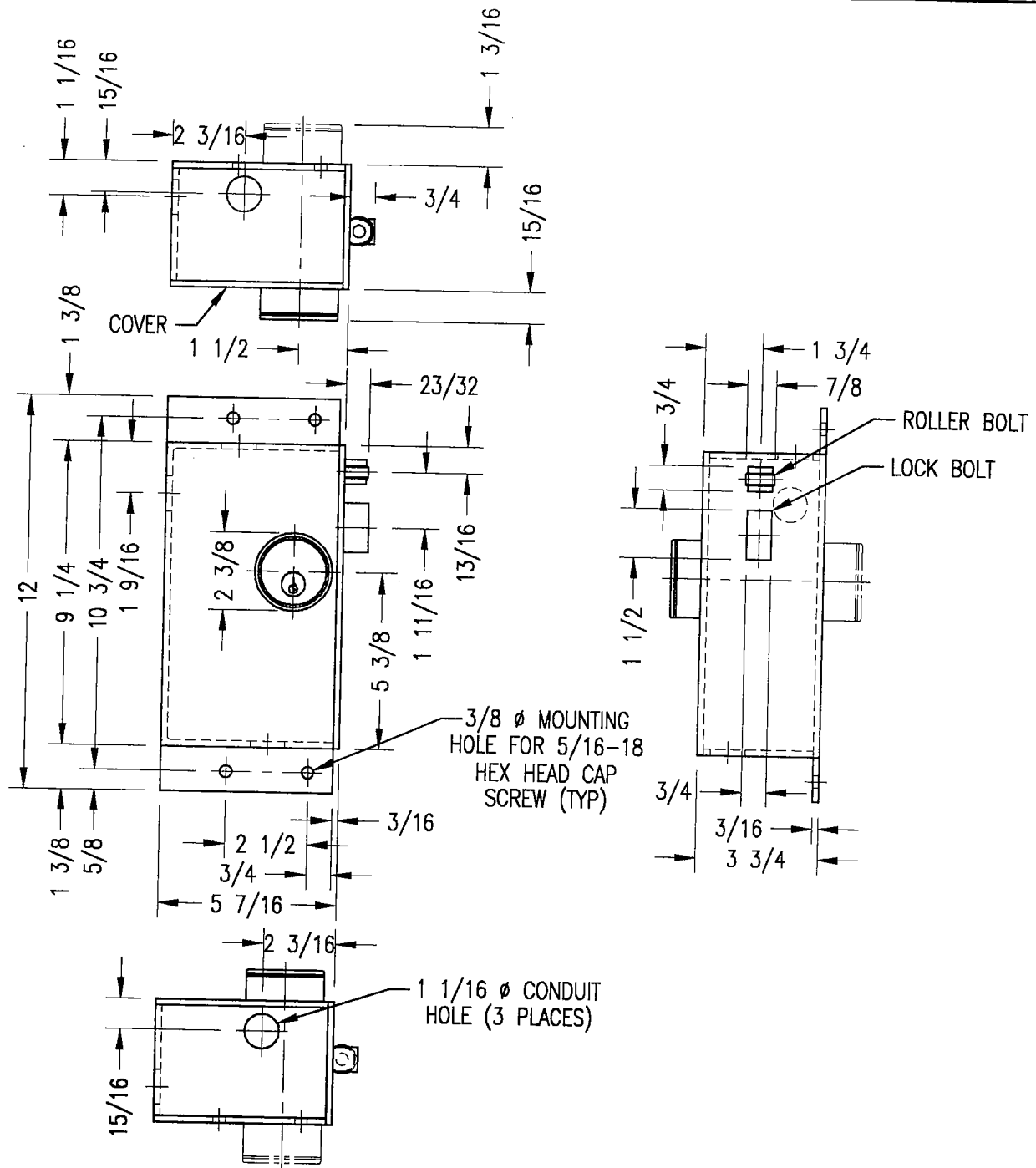
Folger Adam  
120



Folger Adam  
120E Retro



Southern Steel  
10120



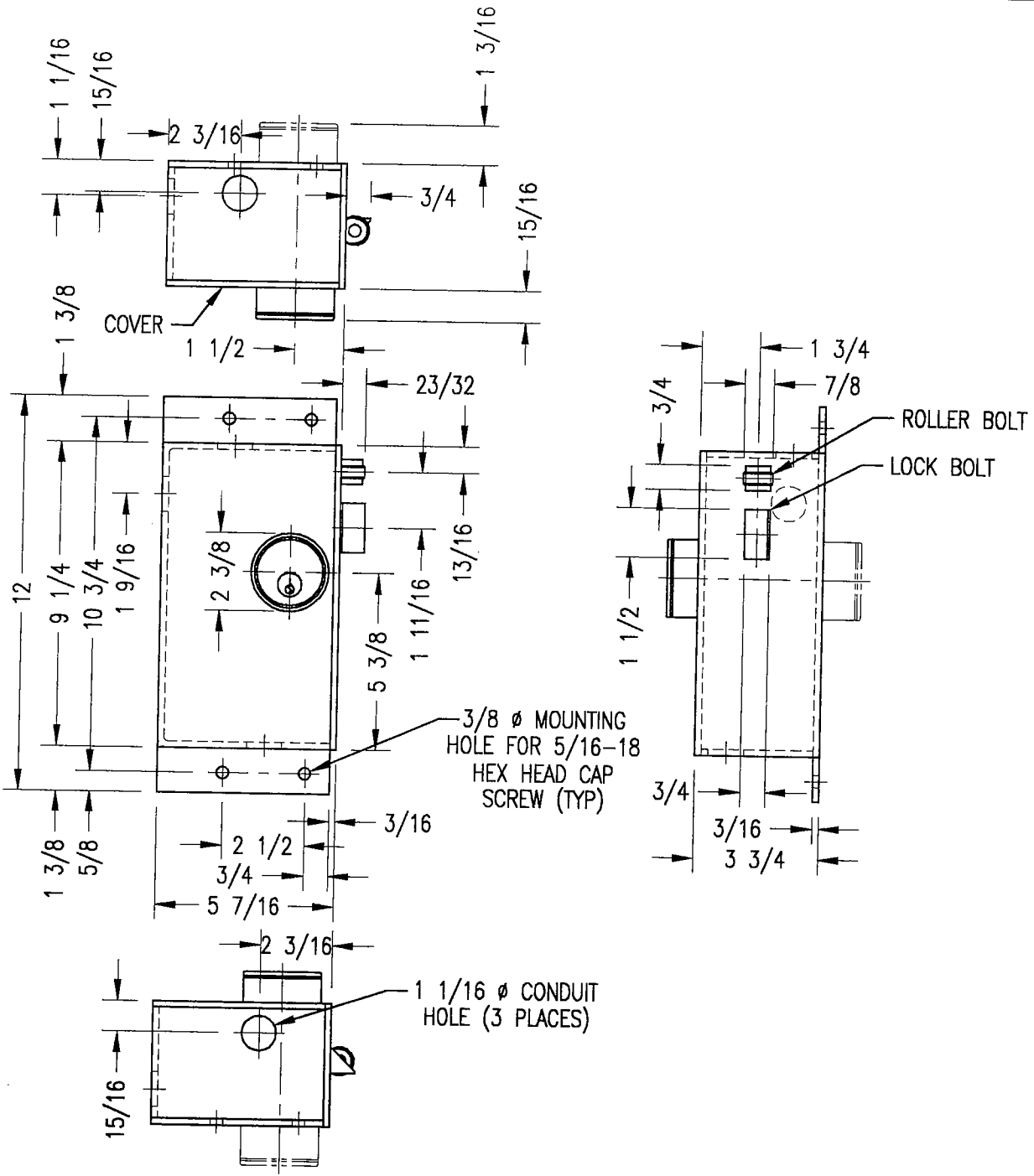
1. RH AS SHOWN, LH OPPOSITE.
2. 10120E-EED-1 KEYED COVER SIDE, 10120E-EED-2 KEYED BOTH SIDES.
3. BOLT PROJECTION: 3/4.
4. BOLT TRAVEL: 3/4.
5. SEE TEMPLATE SHEET NO. 243 FOR DOOR STRIKE.
6. ALL DIMENSIONS ARE IN INCHES.

# 10120E-EED ELECTRO-MECHANICAL DEADLOCK

**SOUTHERN  
STEEL  
COMPANY**

BOX 2021  
SAN ANTONIO, TX 78297  
210/533-1231

DATE  
4/27/98  
TEMPLATE NO.  
150



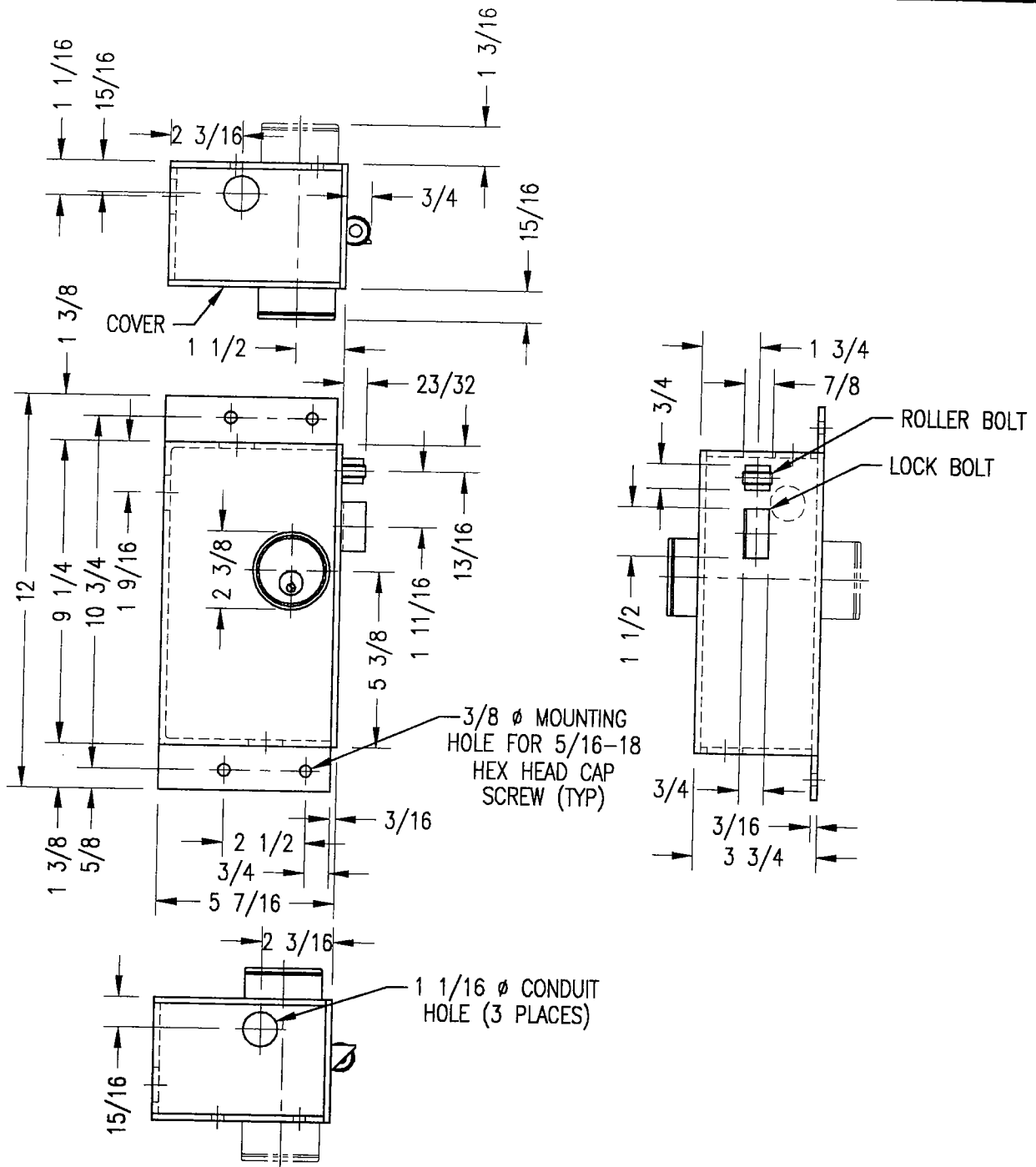
1. RHRB AS SHOWN, LHRB OPPOSITE.
2. 10120E-1 KEYED COVER SIDE, 10120E-2 KEYED BOTH SIDES.
3. BOLT PROJECTION: 3/4.
4. BOLT TRAVEL: 3/4.
5. SEE TEMPLATE SHEET NO. 243 FOR DOOR STRIKE.
6. ALL DIMENSIONS ARE IN INCHES.

# 10120E ELECTRO-MECHANICAL DEADLOCK (RB)

**SOUTHERN  
STEEL  
COMPANY**

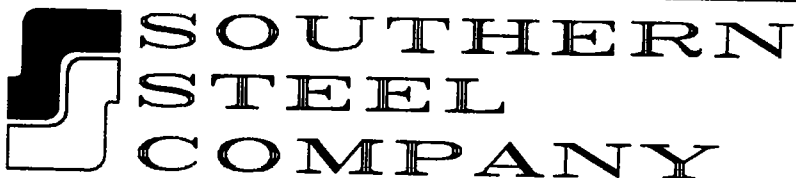
BOX 2021  
SAN ANTONIO, TX 78297  
210/533-1231

DATE  
4/27/98  
TEMPLATE NO.  
149



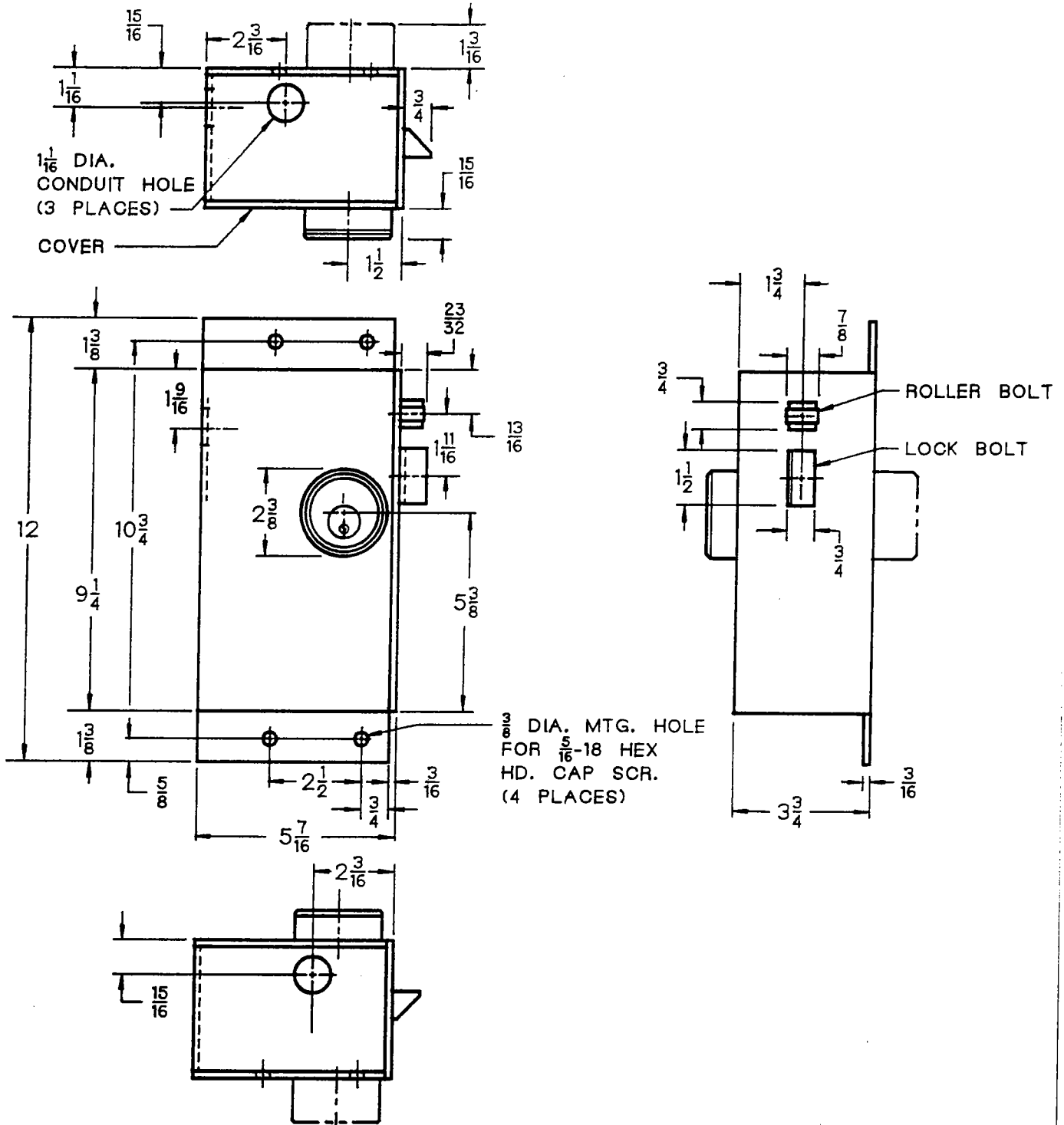
1. RHSB AS SHOWN, LHSB OPPOSITE.
2. 10120E-1 KEYED COVER SIDE, 10120E-2 KEYED BOTH SIDES.
3. BOLT PROJECTION: 3/4.
4. BOLT TRAVEL: 3/4.
5. SEE TEMPLATE SHEET NO. 243 FOR DOOR STRIKE.
6. ALL DIMENSIONS ARE IN INCHES.

# 10120E ELECTRO-MECHANICAL DEADLOCK (SB)



BOX 2021  
SAN ANTONIO, TX 78297  
210/533-1231

DATE  
**4/27/98**  
TEMPLATE NO.  
**148**



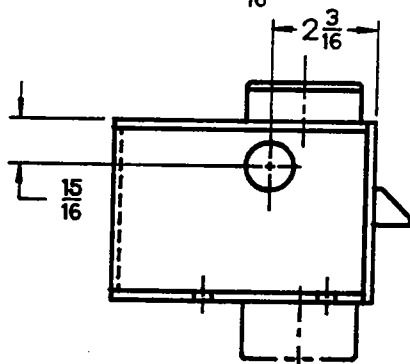
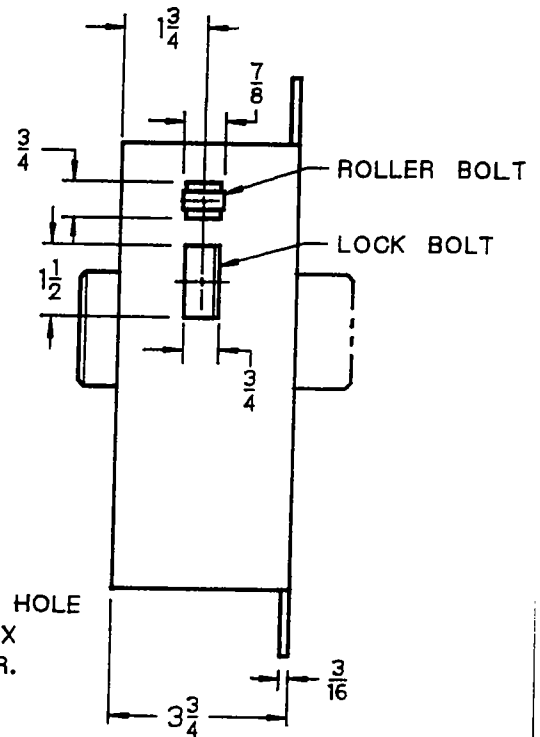
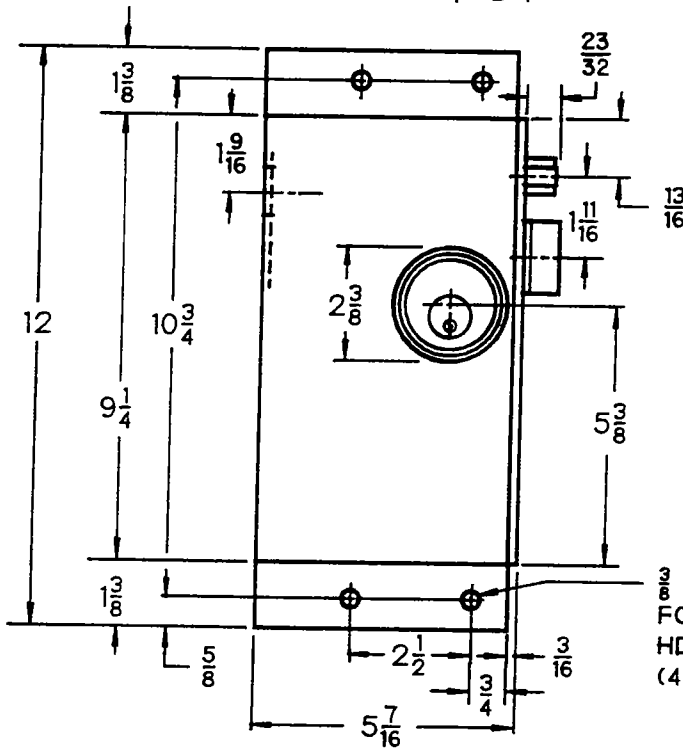
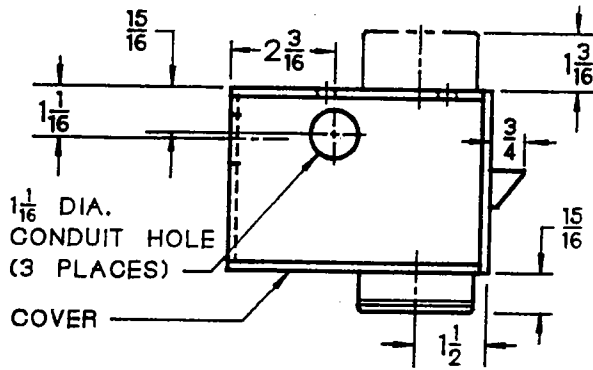
1. RHSB AS SHOWN, LHSB OPPOSITE
2. 10120M-1 KEYED COVER SIDE, 10120M-2 KEYED BOTH SIDES
3. BOLT PROJECTION:  $\frac{3}{4}$
4. BOLT TRAVEL:  $\frac{3}{4}$
5. SEE TEMPLATE SHEET NO. 241 FOR DOOR STRIKE
6. ALL DIMENSIONS ARE IN INCHES

## 10120M ELECTRO-MECHANICAL DEADLOCK (SB)

**SOUTHERN**  
**STEEL**  
**COMPANY**

BOX 2021  
SAN ANTONIO, TX 78297  
512/533-1231

DATE  
8-30-85  
TEMPLATE NO.  
153



1. RHRB AS SHOWN, LHRB OPPOSITE
2. 10120M-1 KEYED COVER SIDE, 10120M-2 KEYED BOTH SIDES
3. BOLT PROJECTION:  $\frac{3}{4}$
4. BOLT TRAVEL:  $\frac{3}{4}$
5. SEE TEMPLATE SHEET NO. 241 FOR DOOR STRIKE
6. ALL DIMENSIONS ARE IN INCHES

## 10120M ELECTRO-MECHANICAL DEADLOCK (RB)

**SOUTHERN  
STEEL  
COMPANY**

BOX 2021  
SAN ANTONIO, TX 78297  
512/533-1231

DATE  
8-30-85  
TEMPLATE NO.  
154













